

Figure 10
Eaves Starter Flashing

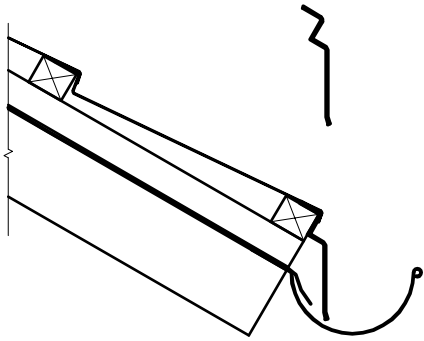


Figure 11 Valley

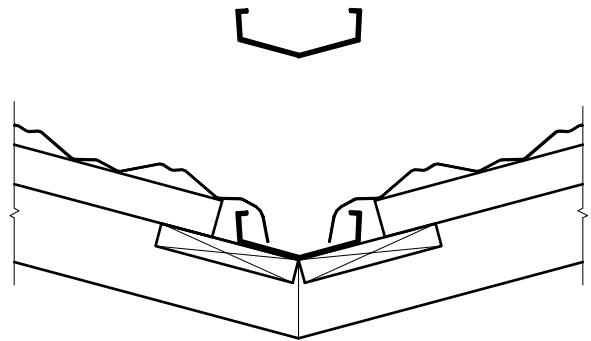


Figure 12 Installation at Wall to Roof Junction

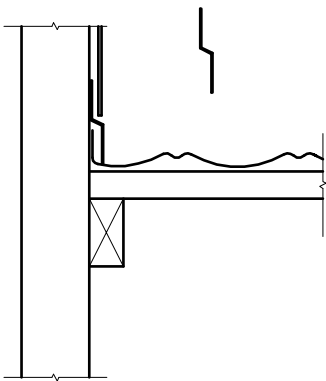


Figure 12.1
Side Flashing - Longitudinal

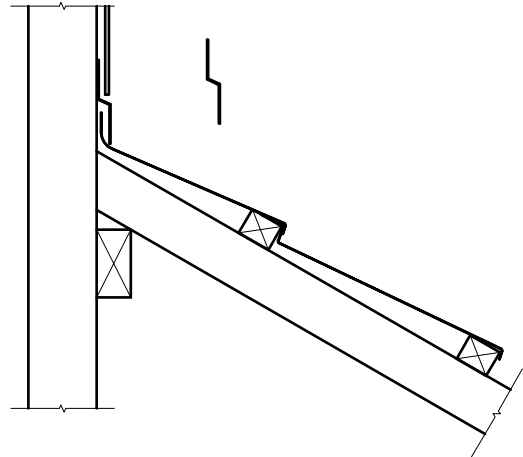


Figure 12.2
Side Flashing - Transverse

Figure 13 Pipe Penetration using EPDM Boot

