

Figure 7 Roof Accessories

[All Dimensions Nominal]

Continued.

Free Ventilation Capacity
 75 cm^2

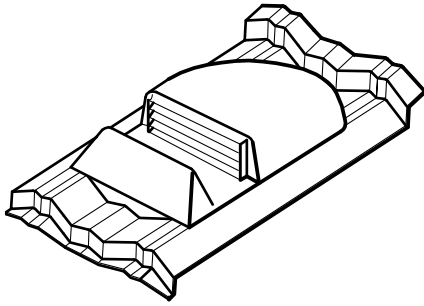


Figure 7.16
GG 8 Vent Tile

Free Ventilation Capacity
 95 cm^2

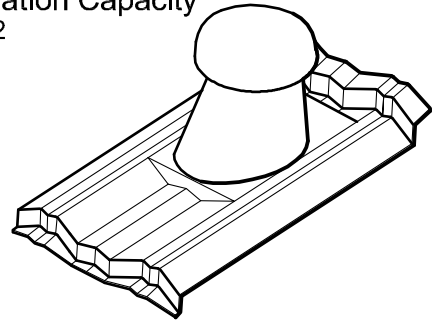


Figure 7.17
GG 110 Vent Tile

Free Ventilation Capacity
 215 cm^2

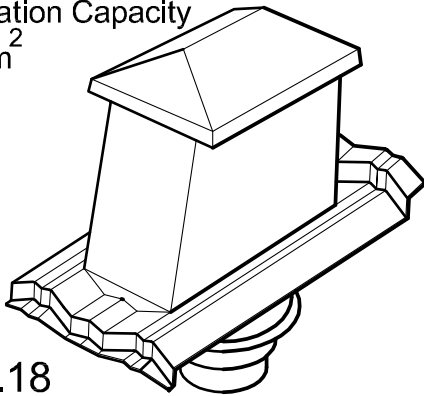


Figure 7.18
GG 15-45 Sanitary Vent Tile

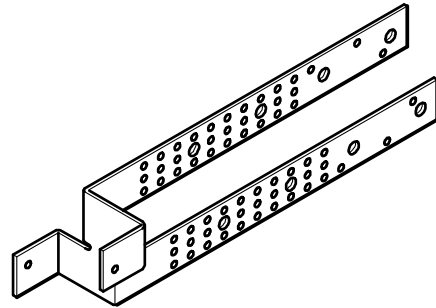


Figure 7.19
Ridge or Hip Ventilation Bracket

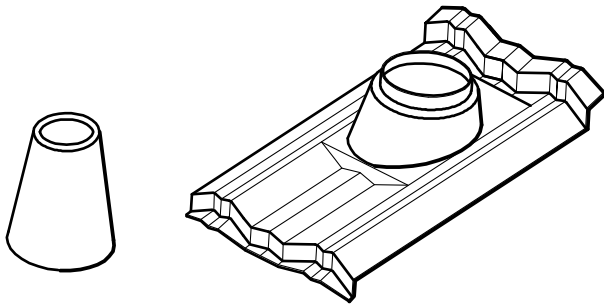


Figure 7.20
Gas Exit Pipe Tile

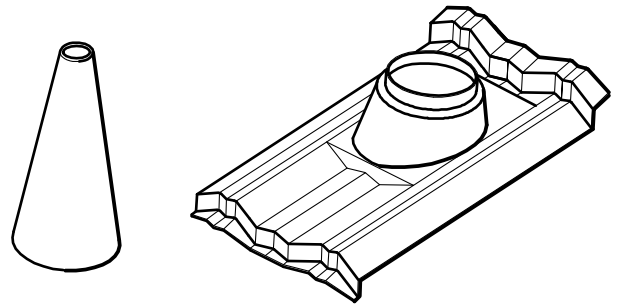


Figure 7.21
GG 16 Antenna Tile

