

Figure 6 Gerard Roman Tile

[All Dimensions Nominal]

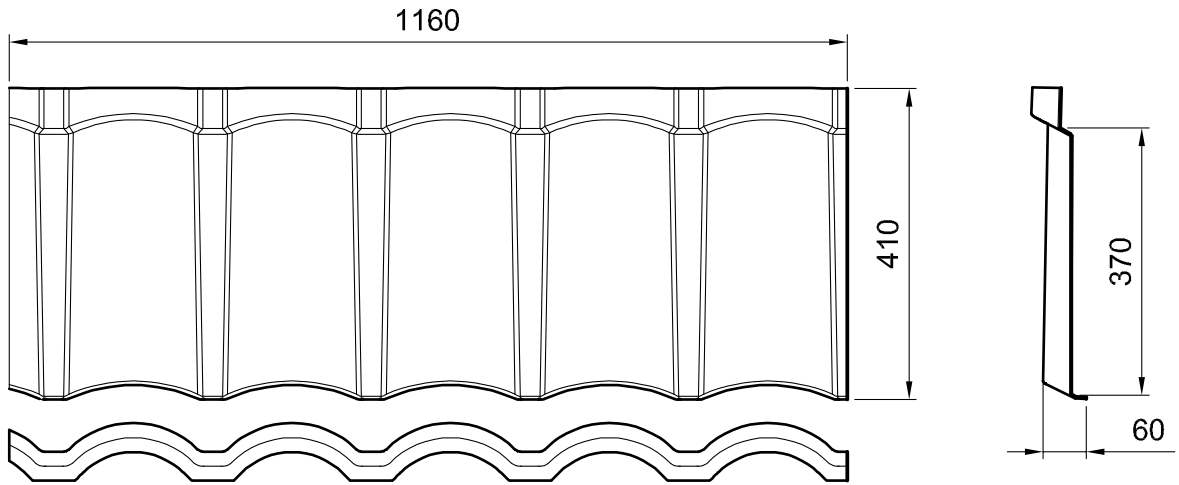


Fig 6.1 Tile Dimensions

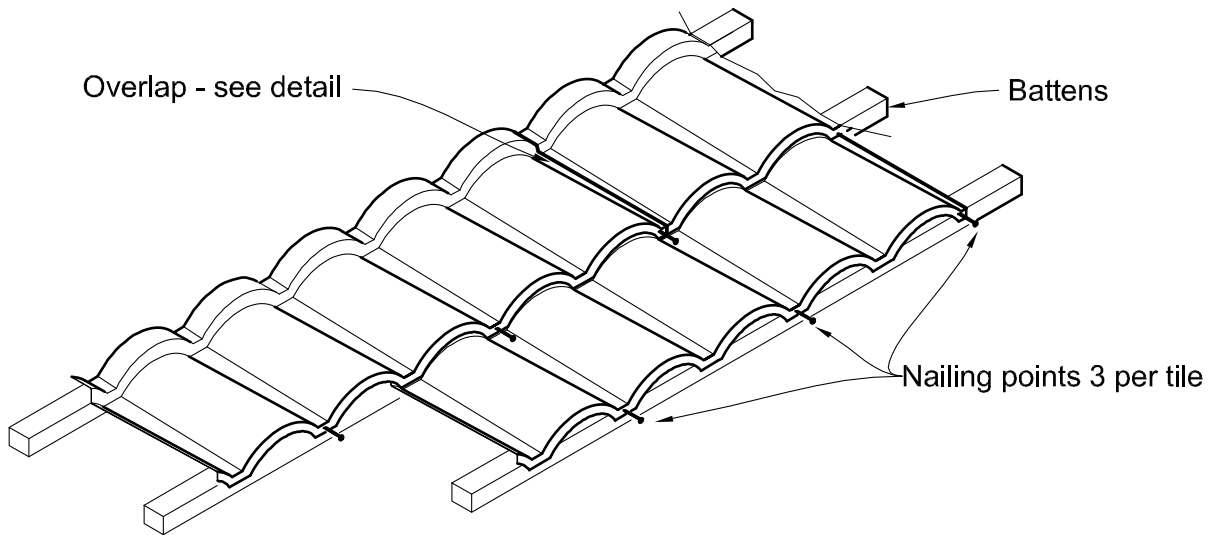
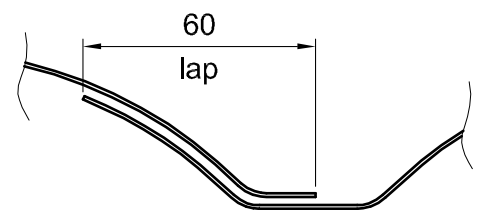


Figure 6.2 Nailing Detail



Roman tiles lap one way only.
Figure 6.4 Lap Detail

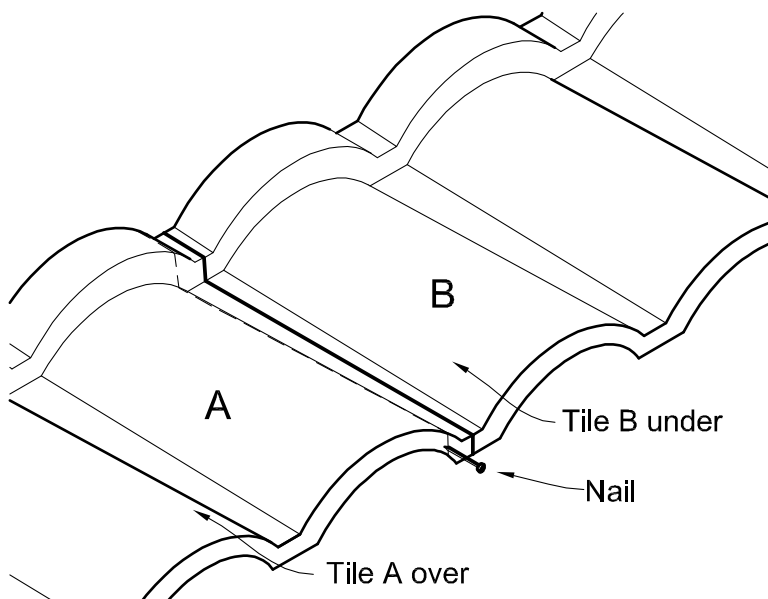


Figure 6.3 Overlap Detail

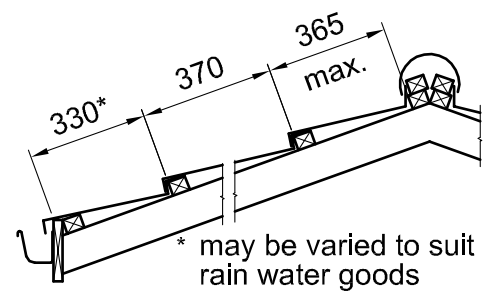


Figure 6.5 Batten Layout