

Figure 2 Gerard Heritage Tile

[All Dimensions Nominal]

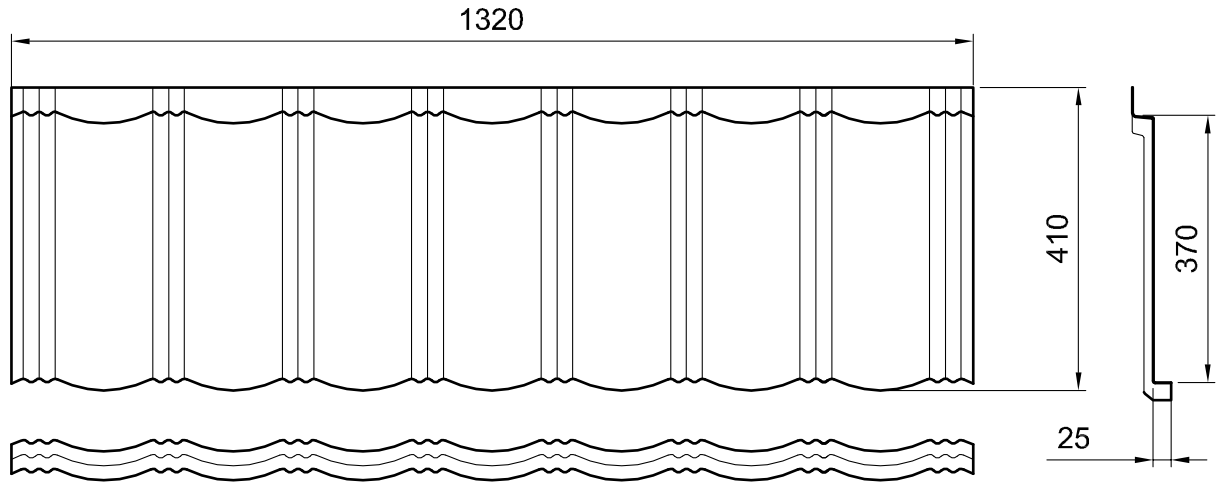


Figure 2.1 Tile Dimensions

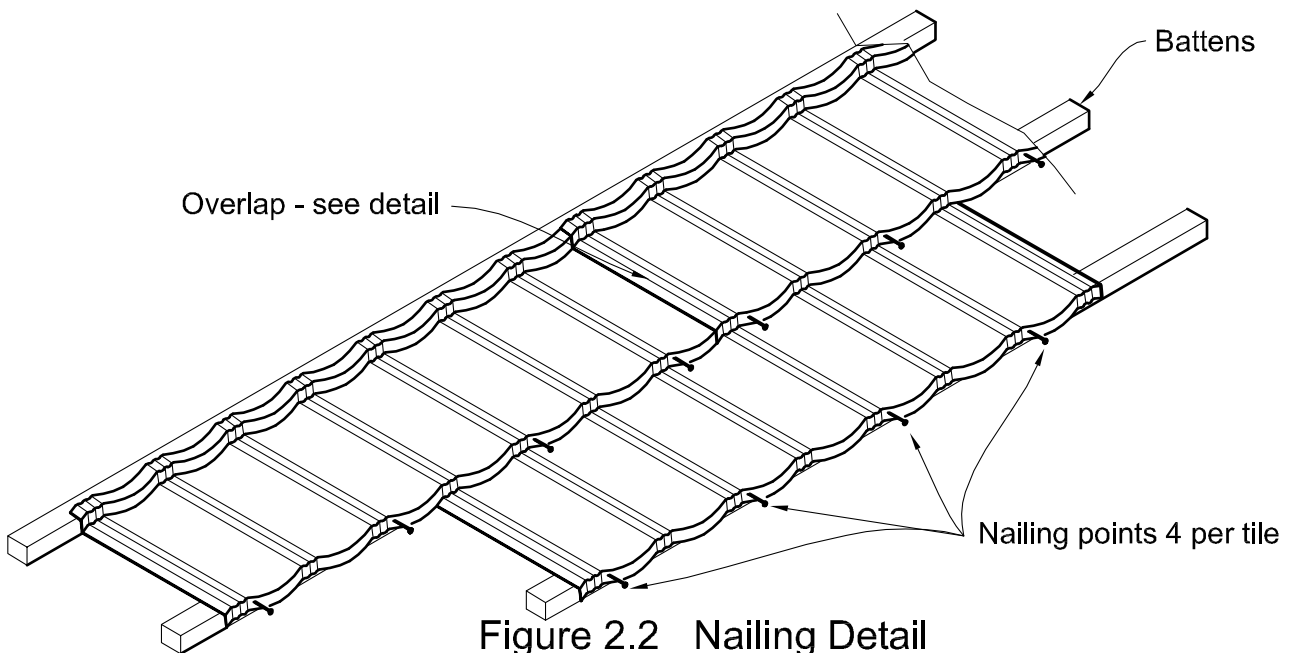


Figure 2.2 Nailing Detail

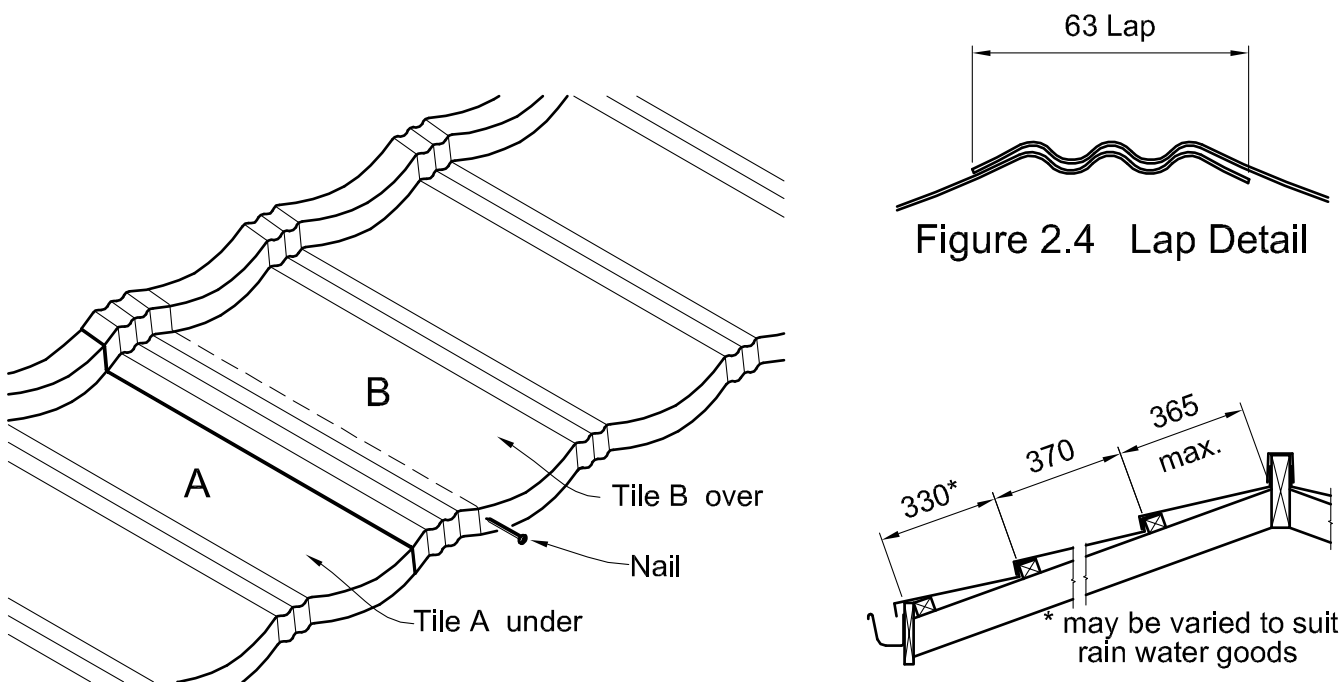


Figure 2.3 Overlap Detail

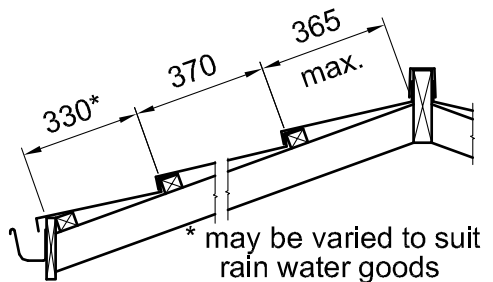


Figure 2.5 Batten Layout